

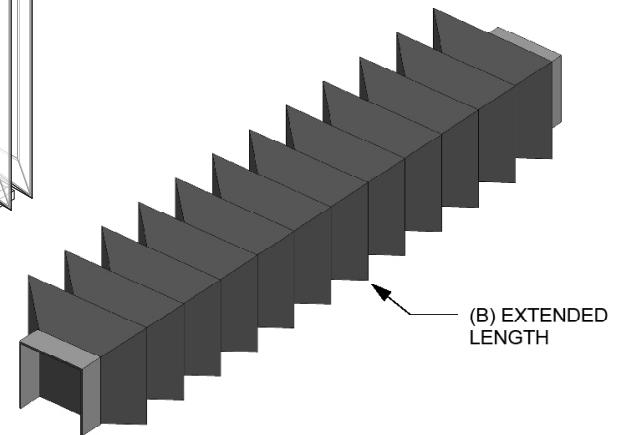
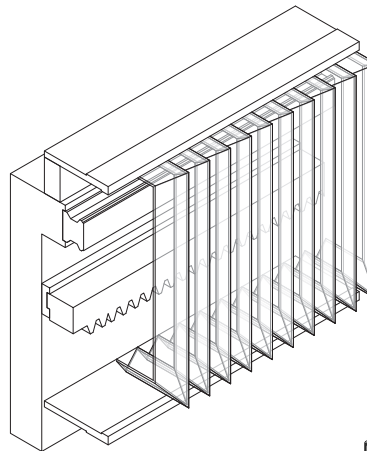


WAY COVER BELLOWS

CONTACT INFORMATION

Date _____	Address _____
Quantity _____	City _____
Company Name _____	State/Province _____
Contact _____	Country _____
Ph _____	Zip/Postal Code _____
Fx _____	
Email _____	

We offer sewn bellows construction combined with a wide variety of materials to optimize your design. We can provide custom fastening ends all per your exact needs.



SPECIFICATIONS

List the following dimensions:

(D) _____
 (E) _____
 (F) _____
 (G) _____
 (H) _____
 (I) _____
 (J) _____
 (K) _____

MATERIAL _____

